

32-Meter 5-Section KCP Concrete Pump

KCP32RZX5170



KCP 32-Meter Truck Mounted
Concrete Boom Pump For Sale



Boom Specifications

VERTICAL HEIGHT

31.6 m (130'8")

HORIZONTAL REACH

27.7 m (90'10.5")

REACH FROM FRONT OF TRUCK

25.4 m (83'4")

UNFOLDING HEIGHT

7.34 m (24'1")

SECTION ARTICULATION

92° / 180° / 240° / 220° / 220°

ROTATION

370°

DELIVERY LINE

125 mm (5")

PROPORTIONAL BEAM

Yes

END HOSE LENGTH

3.5 m (11'6")

OUTRIGGER SPREAD-FRONT

6.18 m (20'3")

OUTRIGGER SPREAD-REAR

5.78 m (18'11.5")

MAX. OUTRIGGER WEIGHT

20,500kg (45,195lbs)

Pump Specifications

MAXIMUM OUTPUT

170 m³ / h (222 yd³ / h)

CONCRETE CYLINDER

Ø230 x 2,100 mm (9" x 83")

STROKE PER MINUTE

32

CONCRETE PRESSURE

72 bar (1,044 psi)

HOPPER CAPACITY

0.6 m³ (21 ft³)

S-TUBE

Ø230 x Ø180 mm (9" x 7")

HYDRAULIC PUMP

Rexroth A20VL0190

CYCLING SYSTEM

Hydraulic with manual overrides

MAX. AGGREGATE SIZE MAX_AGGREGATE_SIZE

40 mm (1.5")

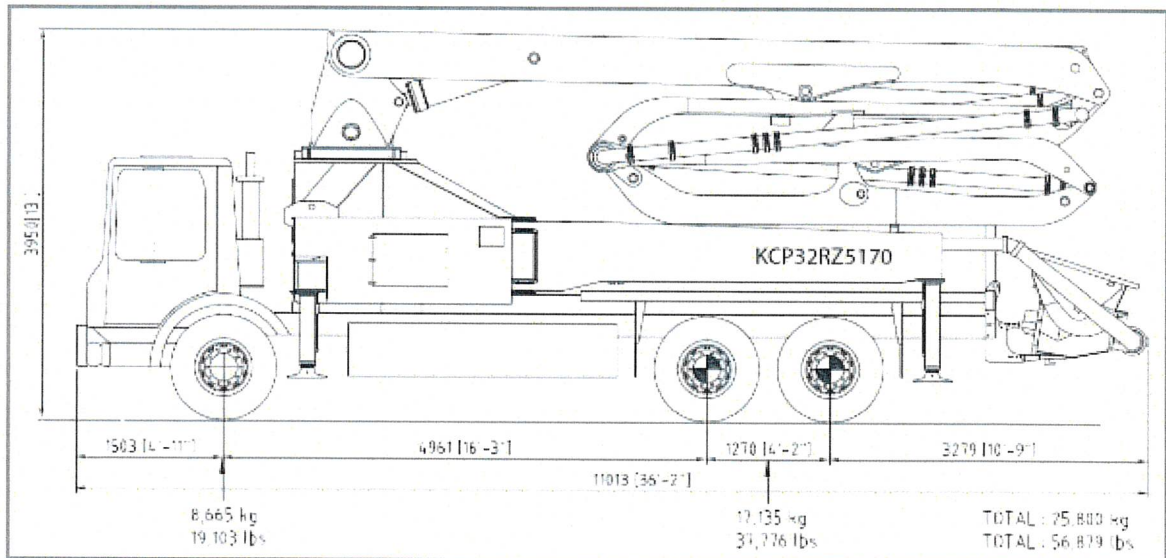
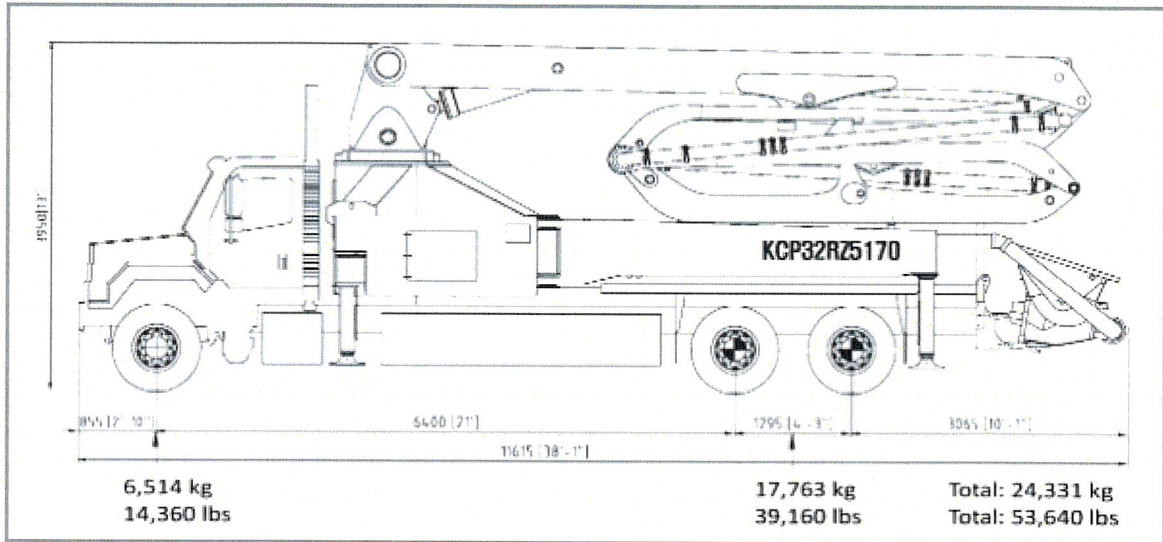
WATER TANK VOLUME

454 L (120 Gal)

PLEASE NOTE

* Maximum theoretical value list.

Weight Diagram



Working Diagram

