

40-Meter KCP Concrete Pump

KCP40RX170



KCP 40-Meter Truck Mounted
Concrete Boom Pump For Sale



Boom Specifications

VERTICAL HEIGHT

39.7 m (130'3")

HORIZONTAL REACH

35.7 m (117'2")

REACH FROM FRONT OF TRUCK

32.6 m (107')

UNFOLDING HEIGHT

9.3 m (30'6")

SECTION ARTICULATION

92° / 187° / 240° / 245°

ROTATION

370°

DELIVERY LINE

125 mm (5")

PROPORTIONAL BEAM

Yes

END HOSE LENGTH

3.5 m (11'6")

OUTRIGGER SPREAD-FRONT

6.18 m (20'3")

OUTRIGGER SPREAD-REAR

8.1 m (26'7")

MAX. OUTRIGGER WEIGHT

24,500kg (54,013 lbs)

Pump Specifications

MAXIMUM OUTPUT

170 m³ / h (222 yd³ / h)

CONCRETE CYLINDER

Ø230 x 2,100 mm (9" x 83")

STROKE PER MINUTE

32

CONCRETE PRESSURE

70 bar (1,015 psi)

HOPPER CAPACITY

0.6 m³ (21 ft³)

S-TUBE

Ø230 x Ø180 mm (9" x 7")

HYDRAULIC PUMP

Rexroth A11VLO260

CYCLING SYSTEM

Hydraulic with manual overrides

MAX. AGGREGATE SIZE MAX_AGGREGATE_SIZE

40 mm (1.5")

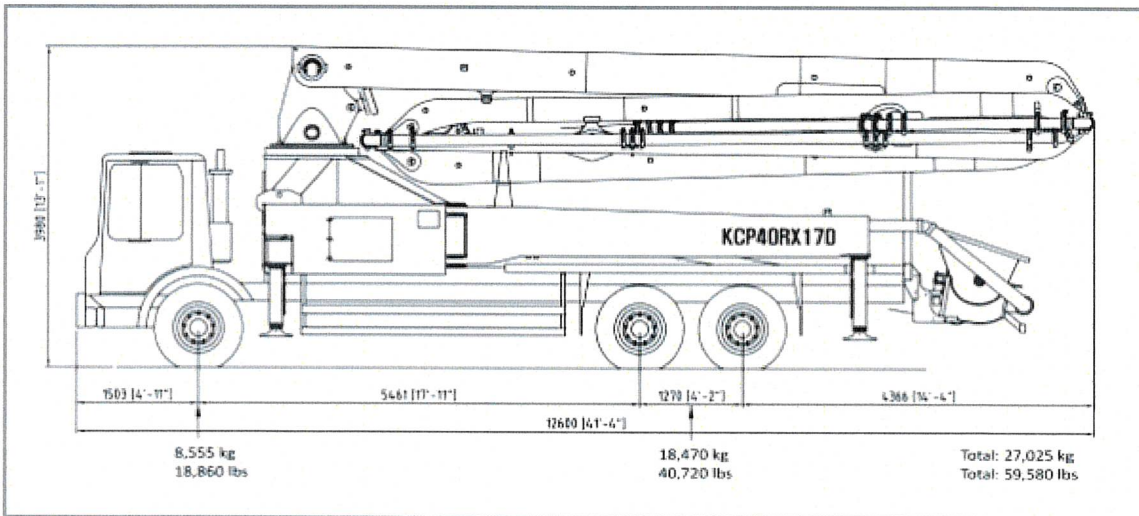
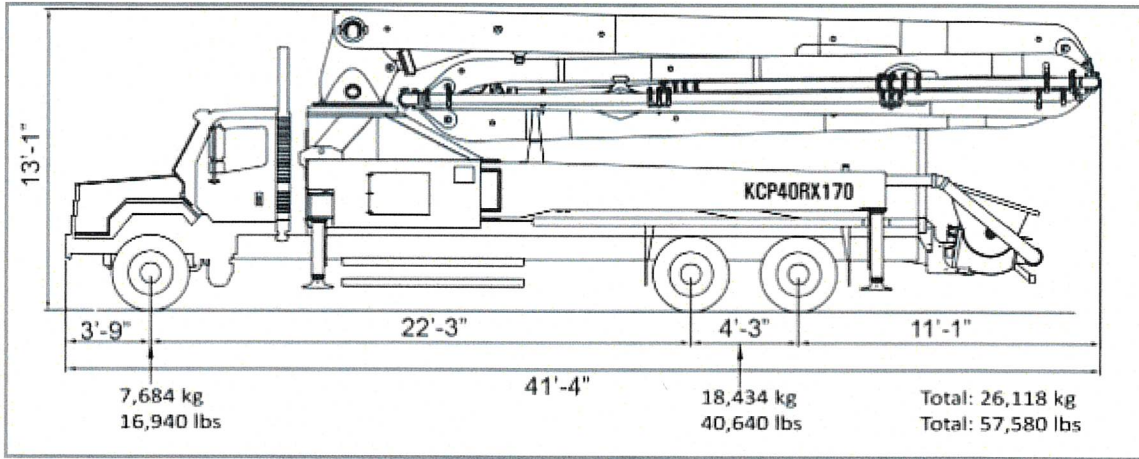
WATER TANK VOLUME

600 L (158.4 Gal)

PLEASE NOTE

* Maximum theoretical value list.

Weight Diagram



Working Diagram

